

Service Bulletin

Mazda Motor of America, Inc.
 7755 Irvine Center Drive
 Irvine, California 92718
 Telephone (714) 727-1990



Category T	Applicable Model/s 1995 Millenia	Subject BATTERY DISCHARGE FROM TRUNK LIGHT STAYING ON	Bulletin No. 002/94
			Issued 6/21/94
			Revised

APPLICABLE MODELS/VINS

1995 Millenia vehicles with a VIN of JM1TA22**S100001 through JM1TA22**S101809

DESCRIPTION

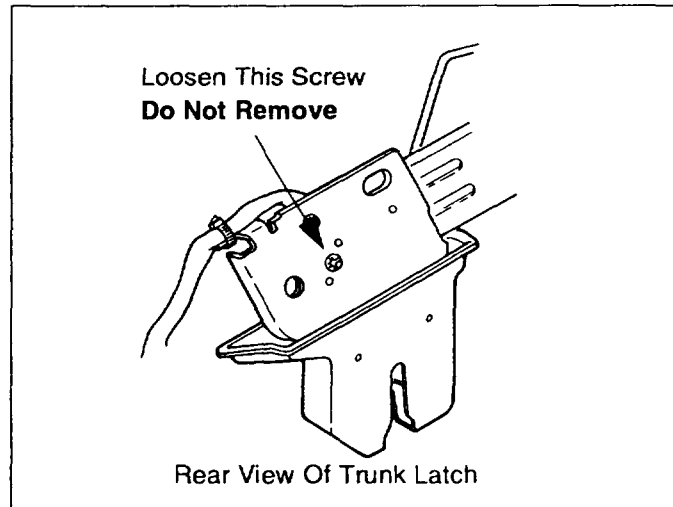
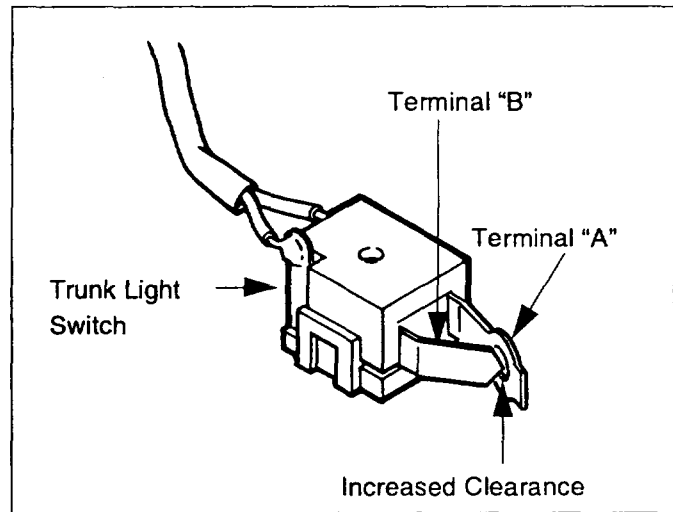
Some vehicles may have discharged batteries caused by the trunk light staying on after the trunk lid is closed. This is caused by incorrect installation of the trunk light switch.

To correct this problem, the clearance between terminals "A" and "B" has been increased.

Customer and inventory vehicles which have battery drain problems should have the trunk light switch inspected and repaired according to the instructions in this bulletin.

REPAIR PROCEDURE

1. Verify complaint by manually depressing the trunk light switch.
 - If the light stays on with the trunk light switch depressed, proceed to step 2.
 - If the light goes off, the problem is not in the trunk light switch. Proceed to the troubleshooting section of the workshop manual for additional information. Repair as necessary.
2. Remove the trunk lid latch and loosen the screw that secures the trunk light switch.



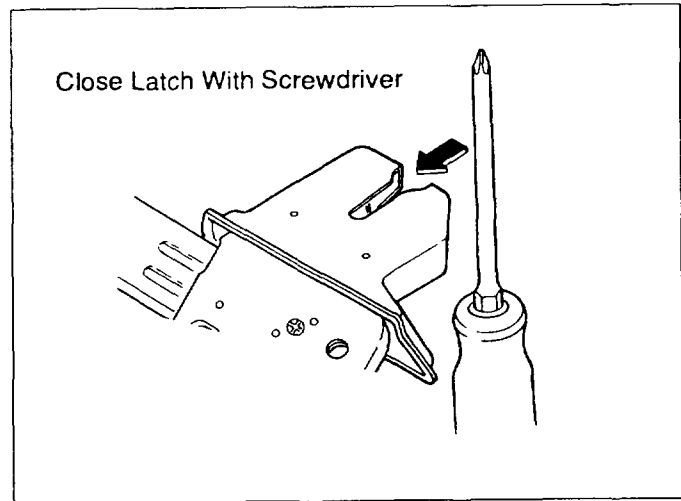
Index # 039142

IMPORTANT: Service and Parts Managers should read this bulletin carefully, sign and convey all information to those concerned.

Signature _____
 Service Manager

Signature _____
 Parts Manager

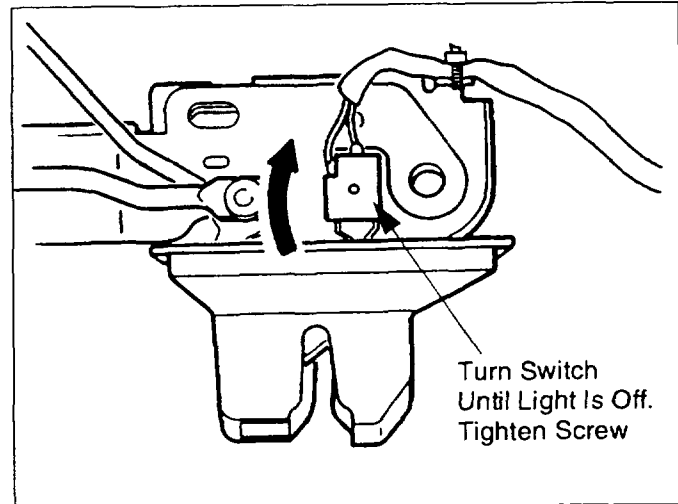
3. Close the trunk lid latch with a screw driver.



4. Adjust the switch by turning the switch body until the light is off.

NOTE: If the switch terminals are bent, straighten prior to adjustment.

5. Tighten the screw which secures the switch.
6. Verify repair



WARRANTY INFORMATION

(Applies To Vehicles Covered Under Normal Warranty)

Warranty Type:	A
Customer Comment Code:	20
Damage Code:	9H
Part Number Main Cause:	T001 56 820
Quantity:	0
Operation Number:	XX0657RX
Labor Hours:	0.5Hrs.