

Section 09	Applicable Model/s 1998-00 Millenia	Subject LOW FUEL WARNING LIGHT "ON" - ONLY 10-13 GALLONS OF FUEL CAN BE PUMPED INTO TANK	Bulletin No. 003/00R
			Issued 03/09/00
			Revised 10/18/00

BULLETIN NOTE

- This bulletin supersedes 09-003/00. The APPLICABLE MODEL(S)/VINS have changed.

APPLICABLE MODEL(S)/VINS

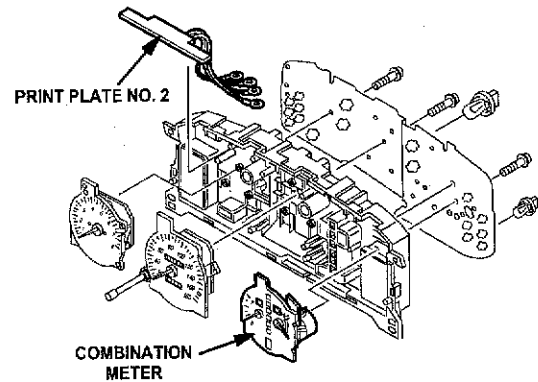
1998-00 Millenia with VINs higher than JM1TA22** *1413745.

DESCRIPTION

When attempting to refuel with the low fuel warning light ON, only 10-13 gallons of fuel can be pumped into the fuel tank. A modified combination meter (fuel & water temperature gauge) and print plate is available to resolve this concern. Once these modified parts are installed, at least 14 gallons of fuel may be pumped into the fuel tank. Customers having this concern should have their vehicle repaired using the following procedure.

REPAIR PROCEDURE

- Verify customer concern.
- Remove instrument cluster from dashboard according to Workshop Manual (section 09-22).

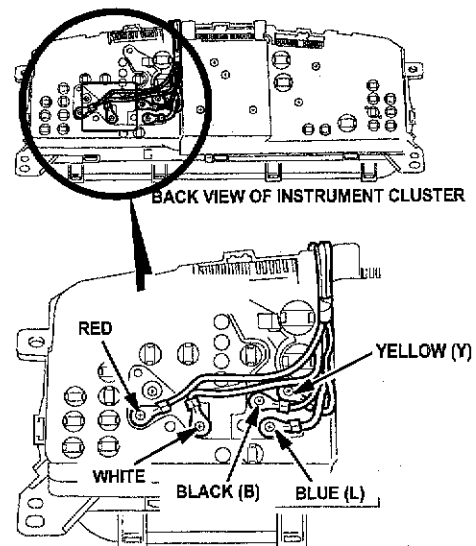


- Remove print plate No. 2 and combination meter from the instrument cluster.

Caution

- Be careful not to scratch the instrument cluster front glass during this procedure.

- Install modified print plate No. 2 and the combination meter in the same location.
- Connect print plate No. 2 terminal wires on back of instrument cluster as shown:



CONSUMER NOTICE: The information and instructions in this bulletin are intended for use by skilled technicians. Mazda technicians utilize the proper tools / equipment and take training to correctly and safely maintain Mazda vehicles. These instructions should not be performed by "do-it-yourselfers." Consumers should not assume this bulletin applies to their vehicle or that their vehicle will develop the described concern. To determine if the information applies, consumers should contact their nearest authorized Mazda dealership.

Number: 09 - 003/00R	Date Issued: 03/09/00	Revised: 10/18/00
----------------------	-----------------------	-------------------

6. Reinstall instrument cluster in reverse order according to the Workshop Manual.
7. Verify repair.

PART(S) INFORMATION

Part Number	Description	Qty.	Notes
TAY0-55-481	Print Plate No. 2 & Combination Meter	1	1998 Model Year Plate & Meter Packaged As A Set
TAY1-55-481	Print Plate No. 2 & Combination Meter	1	1999-2000 Model Years Plate & Meter Packaged As A Set

WARRANTY INFORMATION

Note

- This information applies to verified customer complaints on vehicles covered under normal warranty. Refer to the SRT microfiche for warranty term information.

Warranty Type	A
Symptom Code	65
Damage Code	9W
Part Number Main Cause	SEE PART(S) INFORMATION
Quantity	1
Operation Number / Labor Hours	T0605XRX / 1.0