



Subject: DIFFICULTY INSTALLING FUEL PUMP INTO NEW FUEL TANK	Bulletin No: 01-016/01
	Last Issued: 10/4/2001

APPLICABLE MODEL(S)/VINS

All 1995 - 2001 Millennia.

DESCRIPTION

In some cases, the original fuel pump may not fit into the replacement fuel tank opening because the hole may be too small, or is not circular in shape. The correct fuel tank opening specification is 119mm +/- 0.5mm.

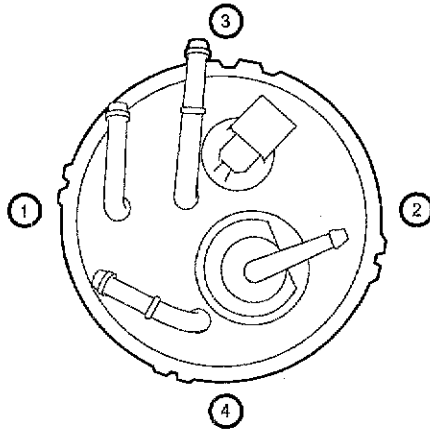
REPAIR PROCEDURE

1. Verify that fuel pump fits properly into new fuel tank BEFORE installing tank into vehicle.
Caution: If fuel pump does not fit into fuel tank opening, DO NOT attempt to modify fuel tank in any way.
2. To properly seat fuel pump into fuel tank opening, apply a light coating of clean engine oil around the entire

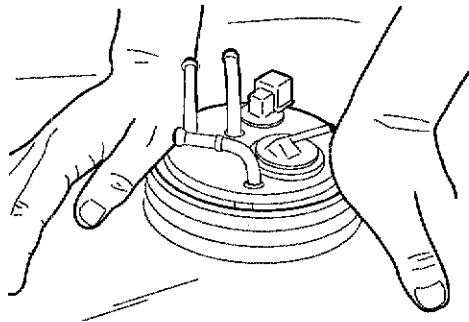
CONSUMER NOTICE: The information and instructions in this bulletin are intended for use by skilled technicians. Mazda technicians utilize the proper tools/equipment and take training to correctly and safely maintain Mazda vehicles. These instructions should not be performed by "do-it-yourselfers." Customers should not assume this bulletin applies to their vehicle or that their vehicle will develop the described concern. To determine if the information applies, customers should contact their nearest authorized Mazda dealership.

fuel pump's seal surface.

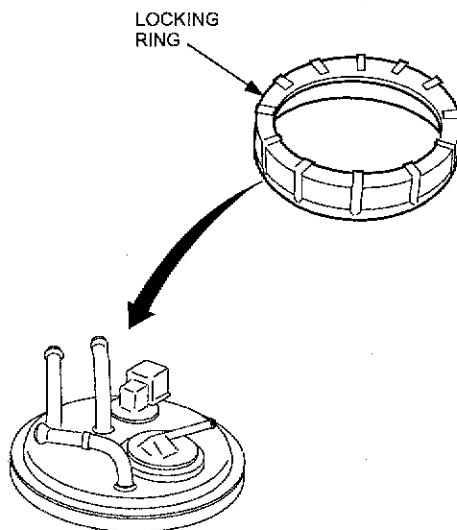
3. Install fuel pump into fuel tank opening by applying pressure to the top of the fuel pump in the order shown.



4. Verify that fuel pump fits flush to fuel tank opening.



5. Install locking ring.



6. Verify repair.

Note: If fuel pump cannot be installed into fuel tank using the above procedures, return fuel tank to your PDC according to normal parts return procedures and re-order another fuel tank.