

Service Bulletin

Mazda Motor of America, Inc.
7755 Irvine Center Drive
Irvine, California 92718
Telephone (714) 727-1990

mazda

Category S	Applicable Model/s 1995-96 Millenia	Subject POWER SEATS WILL NOT MOVE FORWARD	Bulletin No. 035/96 Issued 07/24/96 Revised
---------------	--	--	---

AFFECTED MODELS/VINS

All 1995 - 96 Millenia with a VIN of JM1TA22**T1211820 and lower.

DESCRIPTION

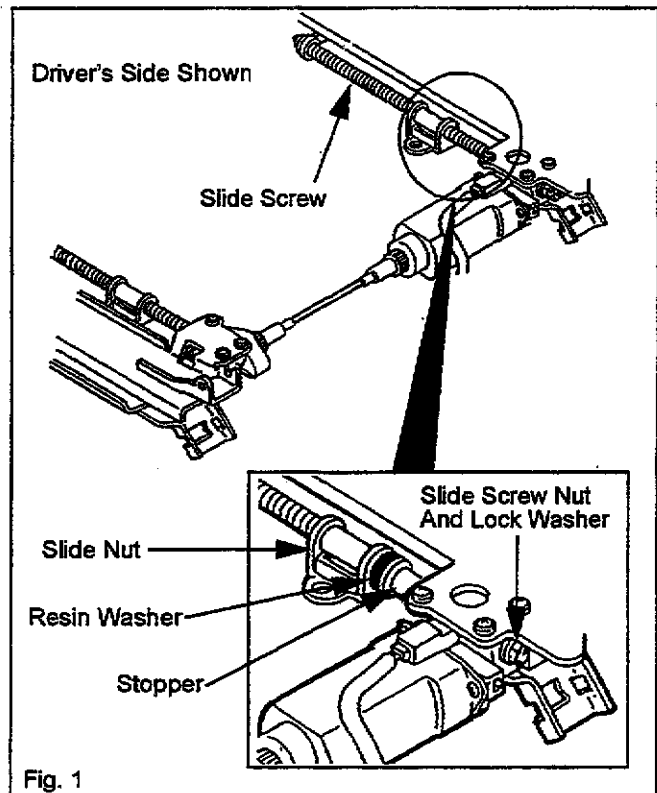
The seat bottom on some driver and passenger power seats may not move forward when operating the power seat switch. This concern does not affect the other functions of the power seat. This concern occurs when the seat is parked in the full rearward position for long periods of time (i.e. dealer inventory, storage etc.) In this position, the resin washer may become stuck to the slide nut preventing seat movement. The material used to produce the resin washer is now harder and resistant to sticking.

Dealer PDI personnel should be especially aware of this concern, and take precautions to inspect this function during PDI.

If you encounter this concern, follow the repair instructions in this bulletin.

REPAIR PROCEDURE

1. Verify the concern.
2. Apply forward pressure to the seat back and press the power seat button in the forward direction.
 - If the seat moves forward; release the pressure and operate the seat through the full range (back - forward - back).
 - If the seat does not move, proceed to step 3 on page 2 of 2.



CONSUMER NOTICE: The information and instructions in this bulletin are intended for use by skilled technicians. Mazda technicians utilize the proper tools / equipment and take training to correctly and safely maintain Mazda vehicles. These instructions should not be performed by "do-it-yourselfers." Customers should not assume this bulletin applies to their vehicle or that their vehicle will develop the described concern. To determine if the information applies, customers should contact their nearest authorized Mazda dealership.

3. Unfold the lock washer on the slide screw nut.
Refer to Fig. 2.
4. Loosen the slide screw nut approximately one (1) full turn.
5. Rock the seat slightly in a back and forth motion.
6. Operate the seat half-way through the range of motion (1/2 way forward).
7. Tighten the slide screw nut to 17 in-lbs.
8. Loosen slide screw nut one turn.
9. Tighten slide screw nut to 9 -10 in-lbs.
10. Fold the slide screw nut washer back to the original position.
11. Verify operation.

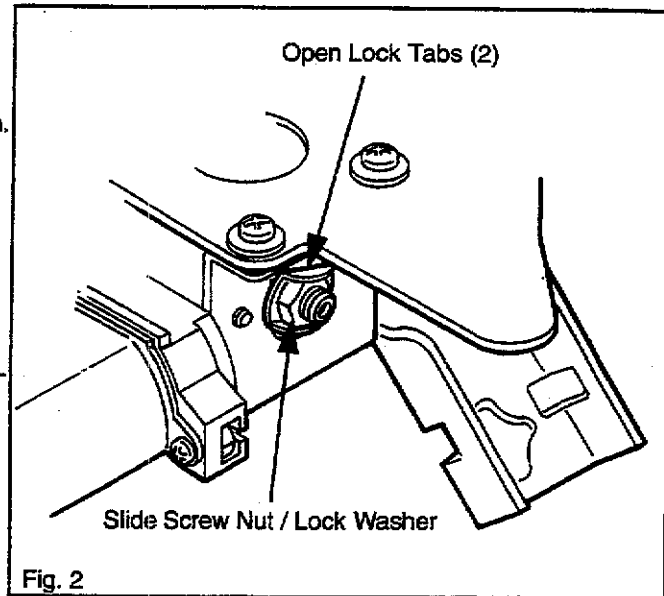


Fig. 2

WARRANTY INFORMATION

(Applies To Vehicles Covered Under Normal Warranty. Refer To The SRT Microfiche For Warranty Term Information.)

Warranty Type:	A
Symptom Code:	66
Damage Code:	92
Part Number Main Cause:	TA03-88-AF0C (Driver's Seat) TA33-88-AA0 (Passenger Seat)
Quantity:	0
Operation Number:	XX0858RX
Labor Hours:	0.2 Hrs. (Per Side)