

# Service Bulletin

Mazda Motor of America, Inc.  
7755 Irvine Center Drive  
Irvine, California 92718  
Telephone (714) 727-1990

# MAZDA

|               |  |  |                     |
|---------------|--|--|---------------------|
| Category<br>S | Applicable Model/s<br>1995-96 Millenia | Subject<br>GLOVE BOX LID DOES NOT FIT FLUSH<br>WITH DASH BOARD SURFACE | Bulletin No. 041/96 |
|               |  |  | Issued 09/23/96     |
|               |  |  | Revised 10/21/96    |

**NOTE:** The Warranty Information in this bulletin has changed. Replace the original bulletin with this revised copy.

## AFFECTED MODELS

All 1995 Millenia.

1996 Millenia with a VIN of JM1TA22\*\*T1208050 and lower.

## DESCRIPTION

The glove box lid may not fit flush (left side lifting) with the dash board when the lid is closed. This condition is caused by the glove box compartment cushion rubber. The elasticity of the cushion rubber pushes the glove box compartment outward.

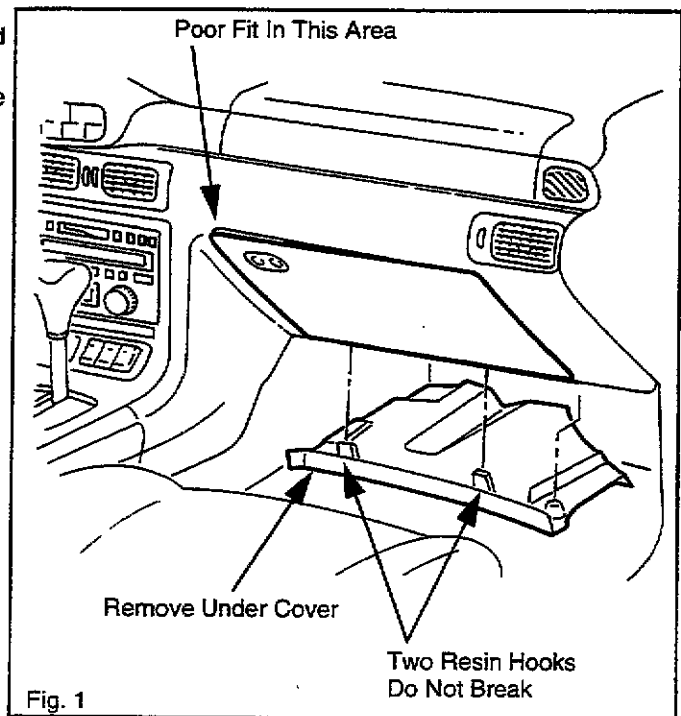
The cushion rubber has been changed and the fit of the crash pad inside the dash is improved to prevent this concern.

Customers complaining of this fit should have the vehicle inspected and if necessary, repaired according to this bulletin.

## REPAIR PROCEDURE

1. Remove the under cover right side screw and under cover.

**NOTE:** When removing the under cover, take precautions not to break the two (2) resin hooks at the rear of the under cover. Refer to Fig. 1.



**CONSUMER NOTICE:** The information and instructions in this bulletin are intended for use by skilled technicians. Mazda technicians utilize the proper tools / equipment and take training to correctly and safely maintain Mazda vehicles. These instructions should not be performed by "do-it-yourselfers." Customers should not assume this bulletin applies to their vehicle or that their vehicle will develop the described concern. To determine if the information applies, customers should contact their nearest authorized Mazda dealership.

2. Remove the right side (door side) glove box compartment hinge screw.
3. Insert two (2) washers between the hinge and the bracket.
  - Retighten screws.
4. Close the glove box lid and verify proper fit.
  - If the problem still exists, adjust the number of washers until proper fit is achieved.

**PARTS INFORMATION**

| Part Number | Description | Qty. |
|-------------|-------------|------|
| 9995-20-516 | Washer      | 2    |

**WARRANTY INFORMATION**

*(Applies To Verified Customer Complaints On Vehicles Covered Under Normal Warranty. Refer To The SRT Microfiche For Warranty Term Information.)*

CHANGED

Warranty Type: A  
 Symptom Code: 89  
 Damage Code: 9B  
 Part Number Main Cause: TA01-64-030C-02  
 Quantity: 0  
 Operation Number: XX0857RX  
 Labor Hours: 0.3 Hrs.

