



Subject: COOLING UNIT ASSEMBLY LEAKS WATER	Bulletin No: 07-001/02R
	Last Issued: 12/11/2002

APPLICABLE MODEL(S)/VINS

All 2001-2002 Millenia

Revision Note: The Warranty Information section has been revised.

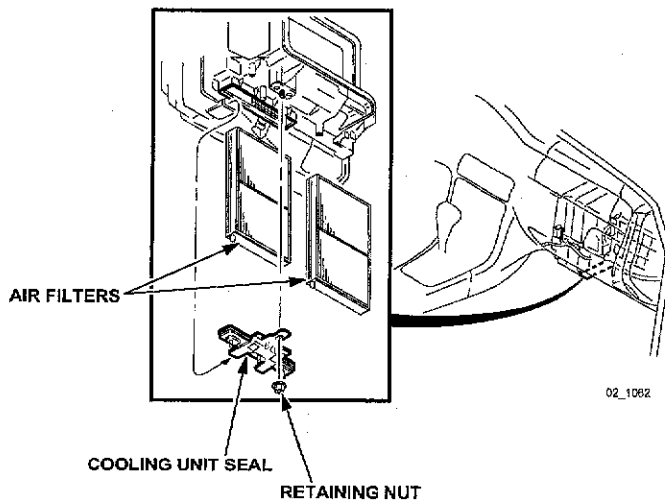
DESCRIPTION

Customer complains of water leaking from under the passenger side dashboard near the footwell area. The possible cause may be due to a deformed rubber seal at the bottom of the cooling unit filter assembly, causing the water to leak at the bottom instead of exiting through the outside drain.

To repair this condition, follow the procedure outlined in this bulletin to replace the rubber seal at the bottom of the cooling unit with a new service part. Do not replace the entire cooling unit assembly.

REPAIR PROCEDURE

1. Remove the lower cover under the passenger side dashboard.
2. Remove the retaining nut and the cooling unit seal piece, which covers the air filter access slot.



3. Position a new cooling unit seal into place and tighten the retaining nut to 9-13 in.lbs. (1.0-1.5 N.m)

NOTE: Inspect for any gap or deformity between the new rubber seal and the air filter access slot at the

CONSUMER NOTICE: The information and instructions in this bulletin are intended for use by skilled technicians. Mazda technicians utilize the proper tools/equipment and take training to correctly and safely maintain Mazda vehicles. These instructions should not be performed by "do-it-yourselfers." Customers should not assume this bulletin applies to their vehicle or that their vehicle will develop the described concern. To determine if the information applies, customers should contact their nearest authorized Mazda dealership.

Bulletin No: 07-001/02R	Last Issued: 12/11/2002
--------------------------------	--------------------------------

bottom of the cooling unit.

4. Reinstall the lower cover under the passenger side dashboard.
5. Verify repair.

PART(S) INFORMATION

Part Number	Description	Qty.	Notes
TC86 61 J31	Seal, Cooling Unit	1	

WARRANTY INFORMATION

Note: This information applies to verified customer complaints on vehicles covered under normal warranty. Refer to the SRT microfiche for warranty term information.

Warranty Type	A
Symptom Code	A4
Damage Code	AD
Part Number Main Cause	TC86 61 J31
Quantity	1
Operation Number / Labor Hours:	XX365XRX / 0.2 Hrs